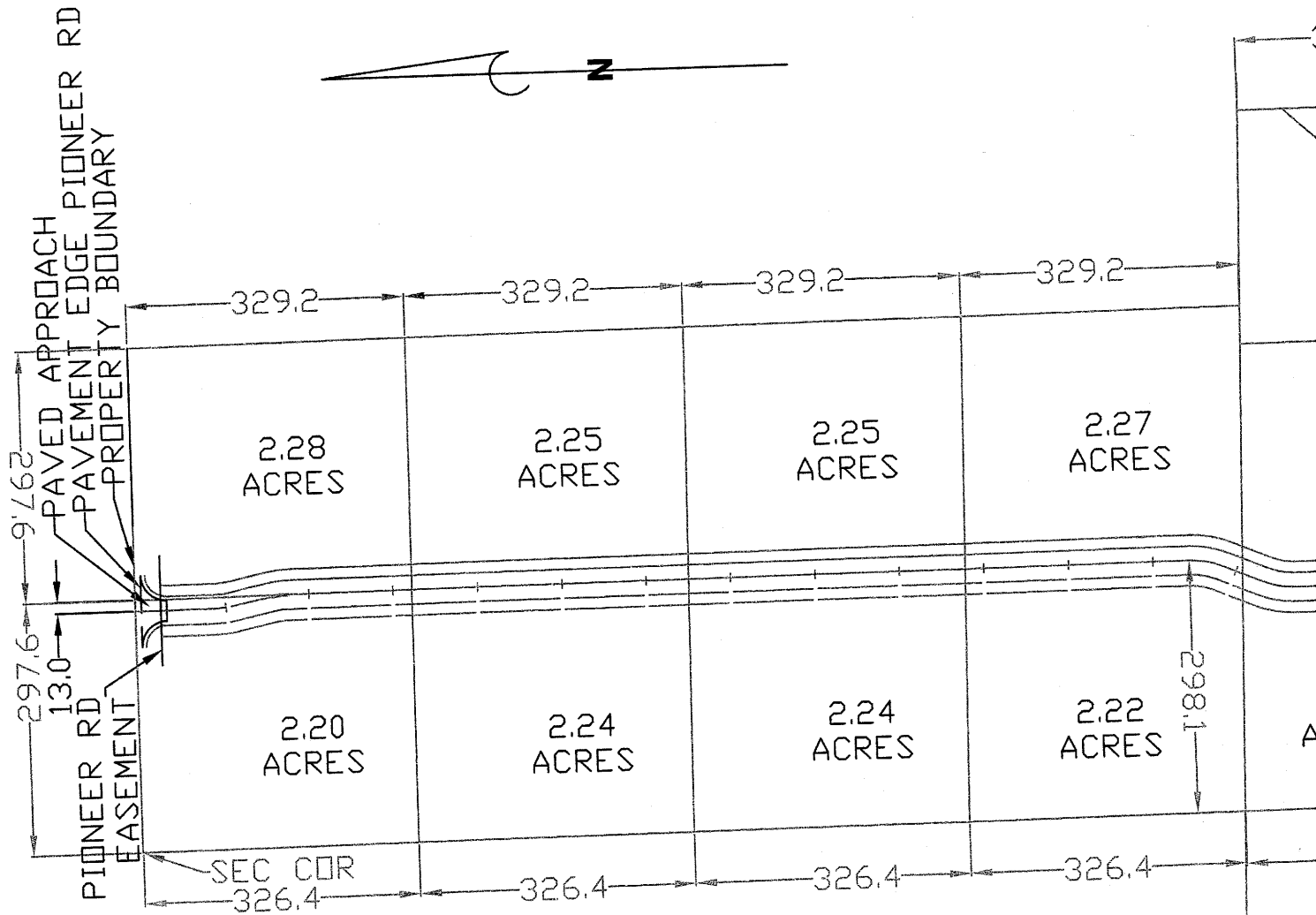
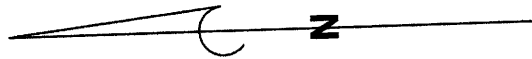
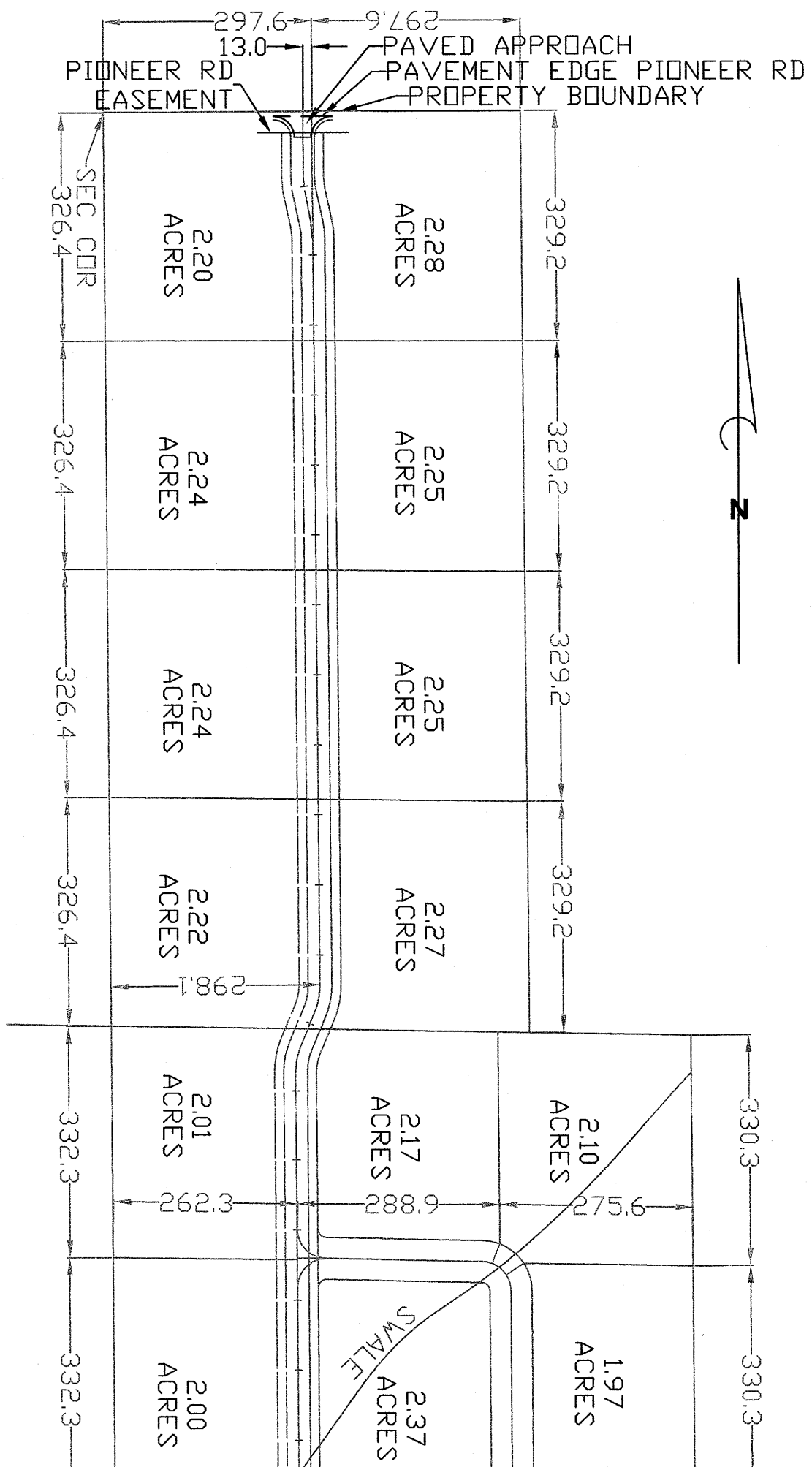


2.0' SHOULDER



C.O.S. #2982, TR B, W 1/2, NW 1/4,
SEC 2, T27N, R21W, PMM

171 PIONEER RD
TENT. SUB-DIV. I



C.D.S. #2982, TR B, W 1/2, NW 1/4,
SEC 2, T27N, R21W, PMM

171 PIONEER ROAD
TENT. SUB-DIV. PLAN

DR. BY: D. R. KRRA
CK. BY: